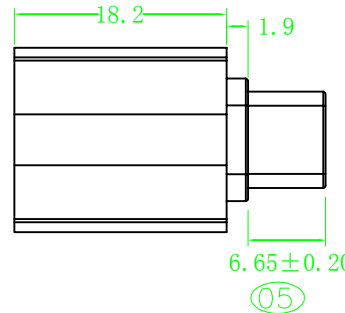
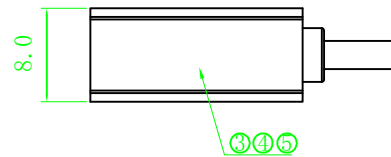
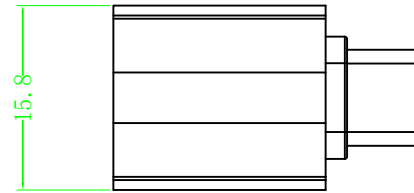
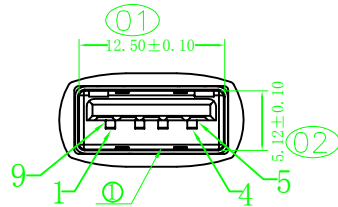


NOTE: ALL MATERIAL COMPLIANT ROHS STANDARD

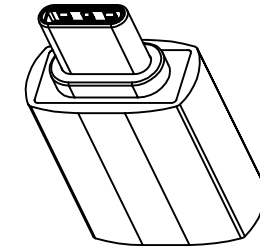
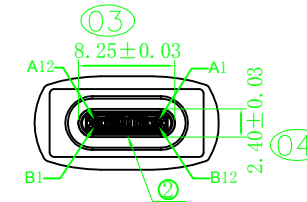
Part No.	Shell part No.	Alu. shell color	plating
1.02.05.110-1	5.10.200-1	black	nickel plated
1.02.05.111-3	5.10.201-3	silver	nickel plated
1.02.05.112-10	5.10.205-10	gray	nickel plated

REVISION INFORMATION			
Rev.	Rev.Date	Modified By	Brief Description
V1.0	Mar-29-2022	Mona	Added version No.

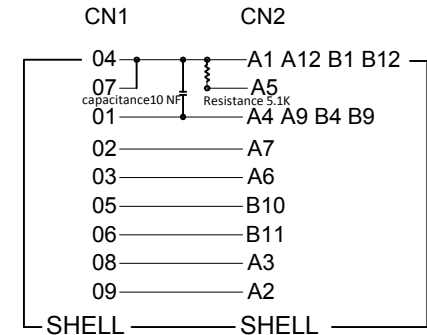
CN1



CN2



Pin Assignments



- Note:
- 100% short/open & wrong line test conditions.
 - Conduction impedance $\leq 5\Omega$.
Voltage test :AC 300V/10mS. Leakage current 0.5mA.
Insulation impedance $\geq 10M\Omega$. High voltage test :DC 300V/10mS.
 - Mark "XX" as the key control size.
 - Support power supply, data transmission, OTG functions.

7	Shell	ALuminum alloy shell black	5.10.200-1	1.8G
6	Inner Mold	PVC material 30P black	5.09.10-1	1.2G
5	capacitance	capacitance10 NF 0402 20%	5.15.175	1PCS
4	Resistance	Resistance 5.1K 0402 10%	5.15.01	1PCS
3	Internal Connection	PCB T=0.8MM 1*Resistance 5.1K 1* capacitance10 NF	5.12.04.029	1PCS
2	Connector	USB TYPE CF nickel plated Steel shell PIN gold platedG/F	5.03.125	1PCS
1	Connector	USB3.0 AF nickel plated iron shell PIN gold platedG/F	5.03.94	1PCS
Item	Name	Material	Part No.	Dosage

DRAWN BY	DATE: 2022. 03. 15	DESCRIPTION: USB Type C Male to USB 3.0 Female Adapte
CHECKED BY	SHEET 1 of 1	ITEM NO. 150219
APPROVED BY	SCALE 1:1	REV. 00 UNIT: mm